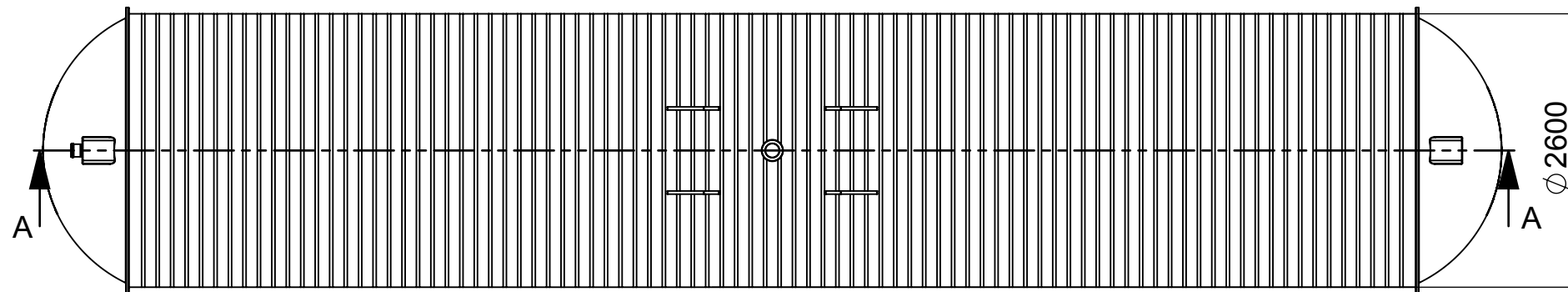
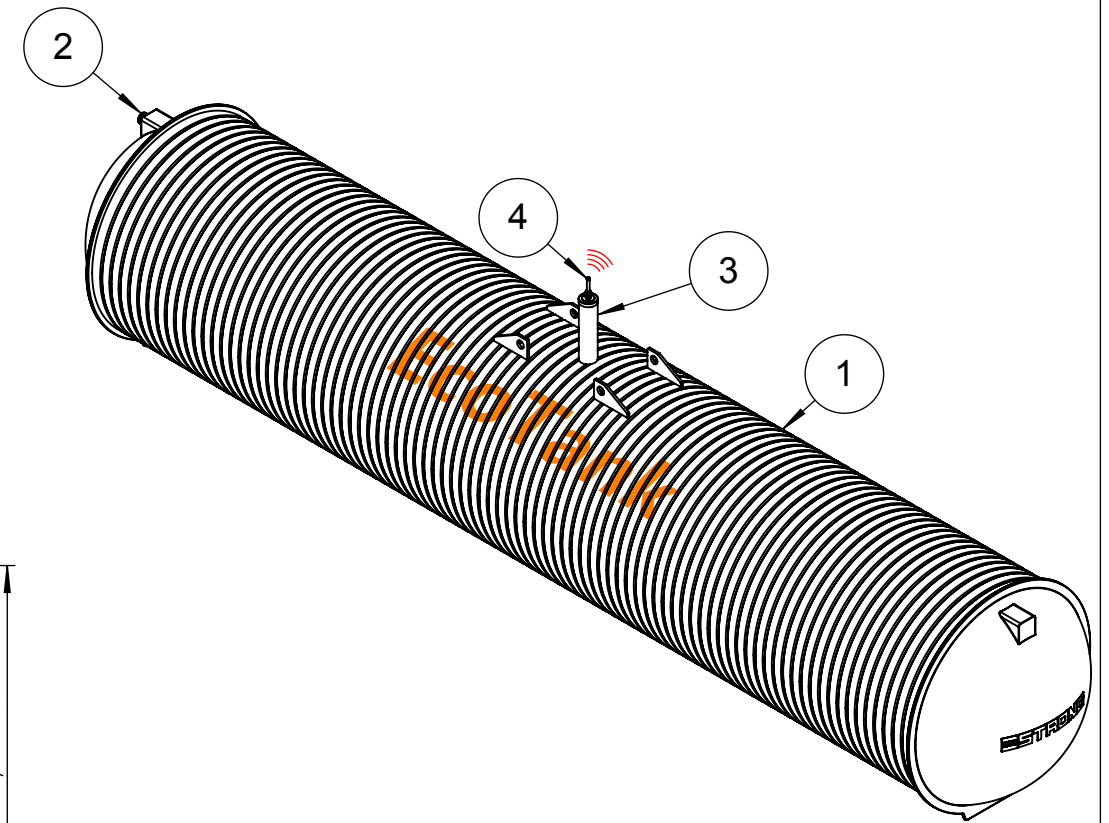
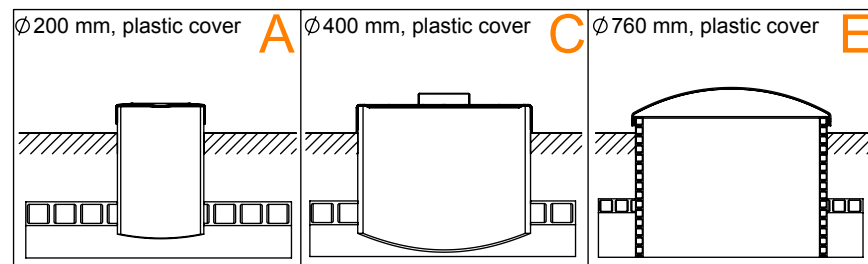


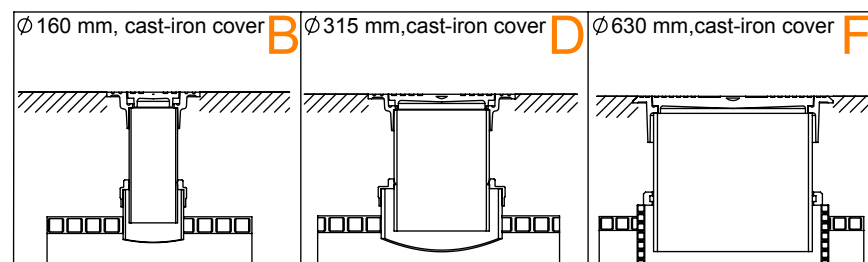
A-A  
L = 13890



Service openings for green area



Service openings for asphalt area



Service opening height : standard height 950 mm  or h=..... mm  
 Type of service opening: A  B  C  D  E  F   
 Service opening distance: standard in the center  or L1=..... mm  
 Inlet pipe diameter: d1=..... mm  
 Alarm device: Yes  No

No	Name	Material	Dimensions
1	Storage tank, double-wall pipe	PE	Ø 2600
2	Inlet pipe	PE	d1
3	Service opening	PE	
4	Alarm device Tank-Check RF-412		

Metric: mm 	Material: Unspec.	Finish: Unspec.	Mass: kg	Size: A3	Sheet: 1/1
Drawn: L.Roomet	<b>STRONG Storage tank Ø 2400, 60000L</b>				
Approved: M.Somelar					
<b>EcoTank</b> www.ecotank.fi				Drawing number: <b>NA</b>	